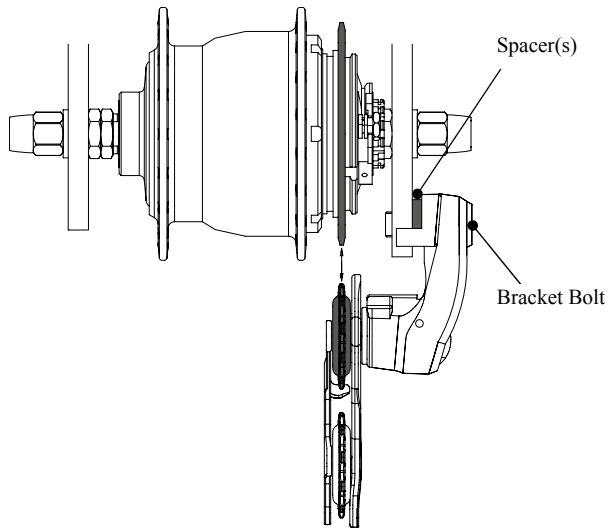


## INSTALLATION

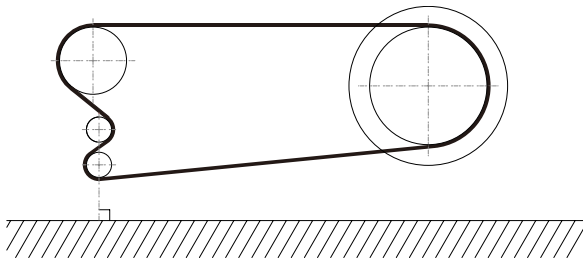
1. Insert the spacer(s) in between the dropout and the chain tensioner so that the guide pulley is aligned with the sprocket if necessary.
2. Tighten the Bracket bolt to torque **8-10Nm**.



The total thickness of spacer(s) used should not exceed 8mm.

## CHAIN LENGTH

If the difference in teeth number between the largest and smallest chainring is 12T or less, or if the front chainwheel is single chainring, set the chain on the smallest chainring and then set the chain length so that the guide pulley and tension pulley are perpendicular to the ground.



If the difference in teeth number between the largest and smallest chainring is 13T-16T, make the chain one link longer than this.