

Item Sales

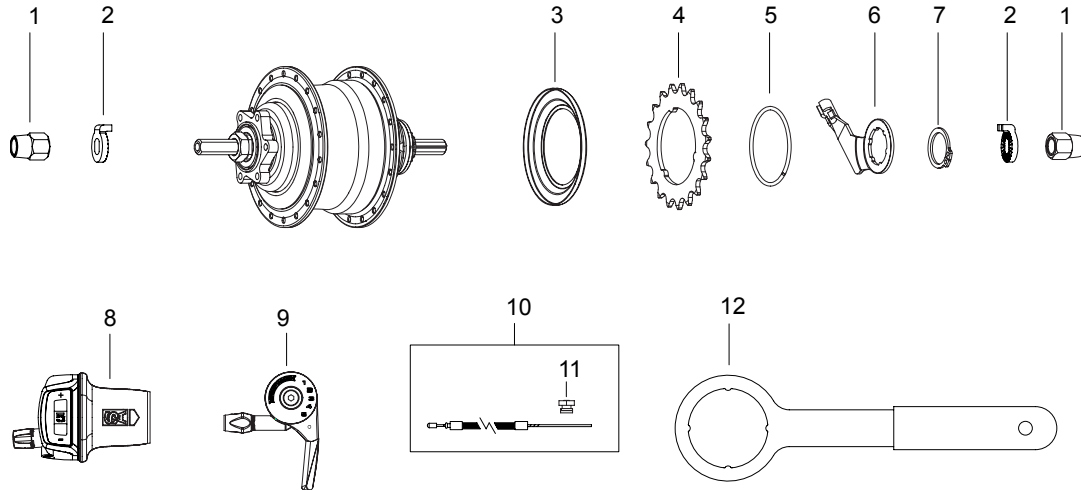
No.	No.	Description
1	HMN407	Cone Locknut – 6.4mm
2	HSA101	Cone
3	HSA241	Cone Dust Cap
4	HSA284	L.H. Ball Cage Assy. – 6.4mm Ball
5	HSA905	RX-RK5 Hub Shell Assembly
6	HSX181	Gear Internal Assembly
7	HSA907	Planet Cage Assembly
8	HSL729	C-clip 3/8"
9	HSH482	Pawl
10	HSA450	Pawl Spring
11	HSA908	Axle Assembly
12	HMW556	Control Pawl Retainer Ring
13	HSA909	Shift Control Cam B
14	HSA910	Shift Control Cam A
15	HSA911	Control Pawl Set w/Springs
16	HSA912	Axle

Item Sales

No.	No.	Description
17	HSA913	Spring Bracket
18	HMW557	Washer
19	HSA914	Cam Sleeve
20	HSA915	Reverse Spring
21	HSA916	Clutch Cam
22	HSA917	Clutch Slide Ring
23	HSA918	Clutch Cam Adaptor
24	HSA832	Axle Circlip
25	HSA919	Shift Actuator
26	HSA920	Clutch
27	HSA921	Gear Ring Assembly
28	HSA922	Gear Ring Pawl Spring
29	HSA923	Gear Ring Pawl
30	HSA415	Gear Ring Pawl Pin
31	HSA924	Drag Spring
32	HSA925	Ball Ring

Item Sales

No.	No.	Description
33	HSA633	Ball Cage Assembly – 30x3/16"
34	HSA926	Clutch Spring
35	HSA927	Driver Assembly
36	HSA928	Driver Pawl
37	HSA929	Driver Pawl Spring
38	HSA438	Ball Cage Assembly – 14x3/16"
39	HSA930	R.H. Cone
40	HMN382	Locknut – 3.2mm
41	HSA931	Cable Drum
42	HSA932	Cone Locator
43	HMN407	Locknut – 6.4mm



Item Sales

No.	No.	Description
1	HMN433	Dome Nut 13/32" – Stainless
	HMN388	Dome Nut 13/32" – CP
2	HMW529	Lockwasher – Xylan
	HMW518	Lockwasher – CP
3	HSL982	Sprocket Dustcap
4	HSL993	Sprocket 17T – 1/8", Flat
	HSL991	Sprocket 18T – 1/8", Flat
	HSL992	Sprocket 19T – 1/8", Flat
	HSL997	Sprocket 20T – 1/8", Flat
	HSL998	Sprocket 22T – 1/8", Flat
	HSL986	Sprocket 17T – 3/32", Flat
	HSL987	Sprocket 18T – 3/32", Flat
	HSL988	Sprocket 19T – 3/32", Flat
	HSL999	Sprocket 19T – 1/8", Dished
	HSL200	Sprocket 20T – 1/8", Dished
	HSL201	Sprocket 19T – 3/32", Dished
	HSL202	Sprocket 20T – 3/32", Dished

Item Sales

No.	No.	Description
5	HSL981	Sprocket Circlip
6	HSJ212	Fulcrum Lever
7	HSL996	Fulcrum Lever Clip –Stainless
	HSL983	Fulcrum Lever Clip

Item Sales

No.	No.	Description
8	HSJ999	TSC50 Shifter w/Cable
9	HSJ201	SLC50 (T-type) Shifter w/Cable
	HSJ202	SLC50 (H-type) Shifter w/Cable
10	HSJ973	Cable/Casing with Rotary Cable Anchorage –2000x2250mm
11	HSL802	Rotary Cable Anchorage
12	HTR148	Ball Ring Spanner